

# Wood End Showcase Assemblies



## Showcase Components Inc.

800/982-5548

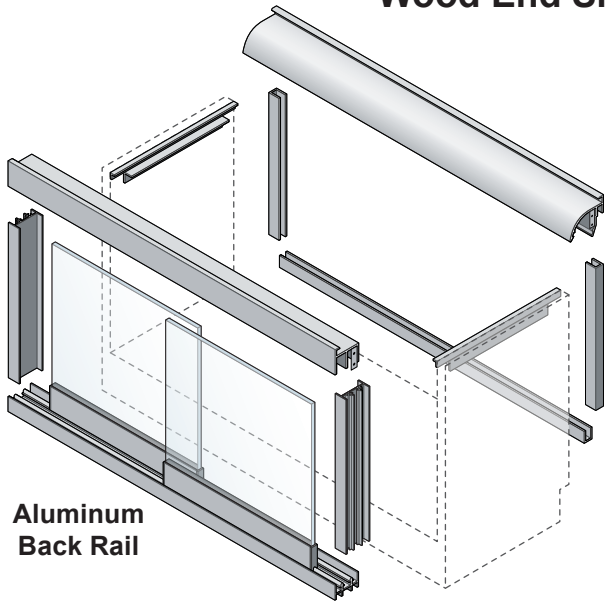
562/630-6440

Fax: 562/633-1859

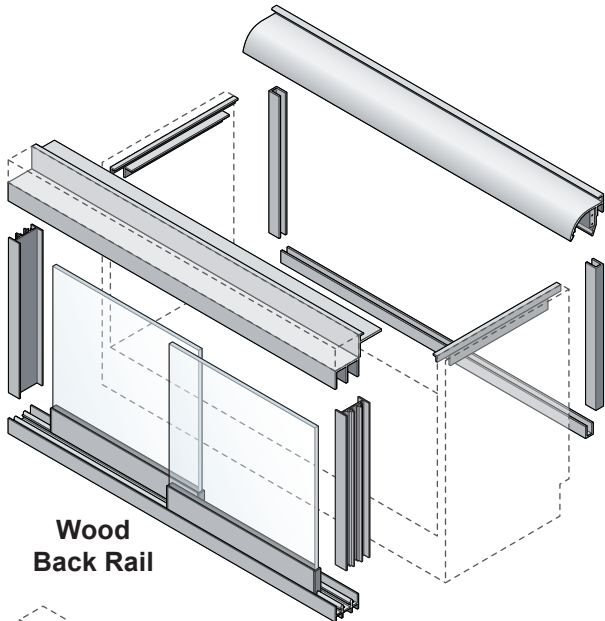


- Home
- Aluminum Frames
- Wood End Assemblies
- Case Lighting
- Design Aids
- Contact Us

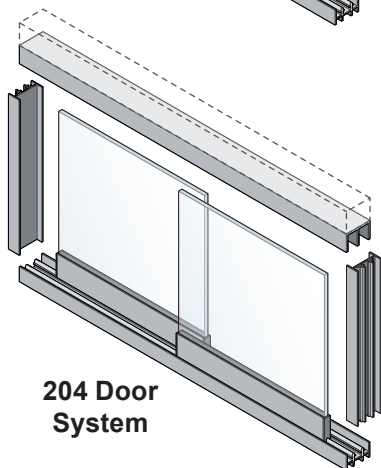
### Wood End Showcase Assemblies



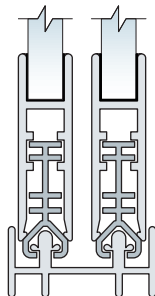
Aluminum Back Rail



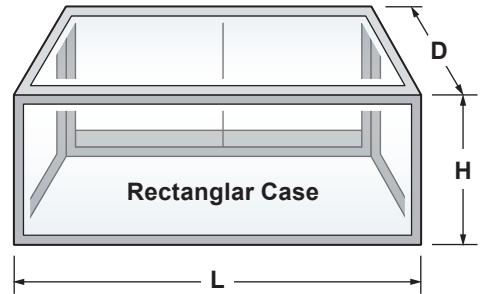
Wood Back Rail



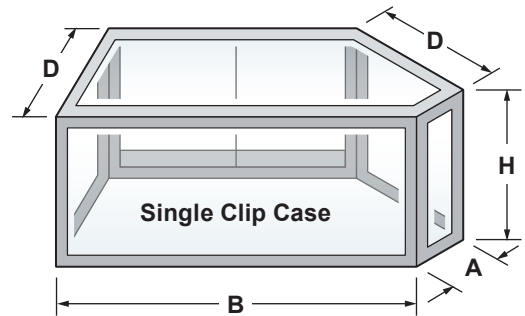
204 Door System



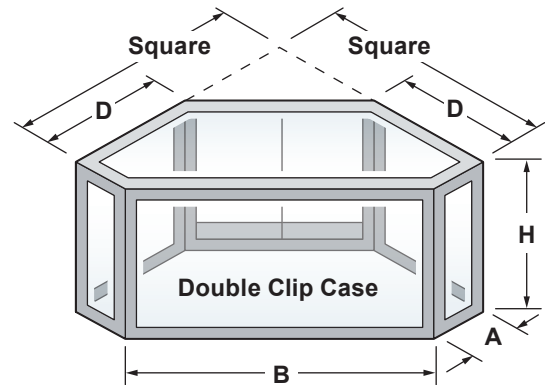
Doors Security



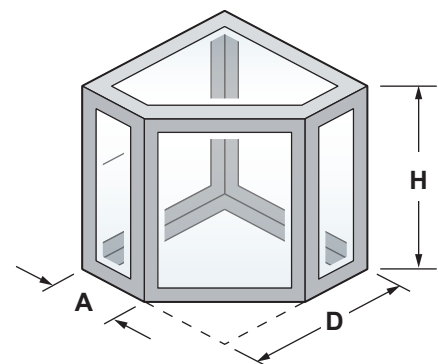
Rectangular Case



Single Clip Case



Double Clip Case



Companion Case